

Securing wells for more than 80 years.™



DOUBLE E

Stuffing Boxes



Need a Stuffing Box that Performs at 3,000 PSI?

Stuffing Boxes prevent oil from escaping from a well, while diverting oil to a field storage tank. Double E offers some of the most high-performance Stuffing Boxes available. While most Stuffing Boxes are suited to only 1,500 psi, Double E's dual-packed Type PC Stuffing Boxes perform well in environments up to 3,000 psi. If we don't have a Stuffing Box for your application, we can develop one for you.

The top section of Double E's Stuffing Boxes perform the normal packing operation. The bottom section contains a body, piston, and lower packing. When pressurized, the piston causes the lower packing to seal against the polished rod, preventing oil loss (see Figure 1).

Stocked Stuffing Boxes

Double E stocks four versions of its popular Type PC Stuffing Boxes. All four are configured for a 1-1/2 inch rod. In addition, Double E has a large inventory of replacement packings and bushings available for same day shipment.

Standard Service Stuffing Boxes

1. 2-9/16 Inch Flanged Base Model

Double E's most popular Stuffing Box, the 2-9/16 inch flanged base model, sets the standard. Each Stuffing Box is precision machined and includes a body, bushing, cap, base, lower plate, lower and upper packing, and piston.

2. 2-7/8 Inch EU Base Model

This popular model includes all the components of the 2-9/16 inch version, but has a 2-7/8 inch EU base.

3. 3 Inch LP Base Model

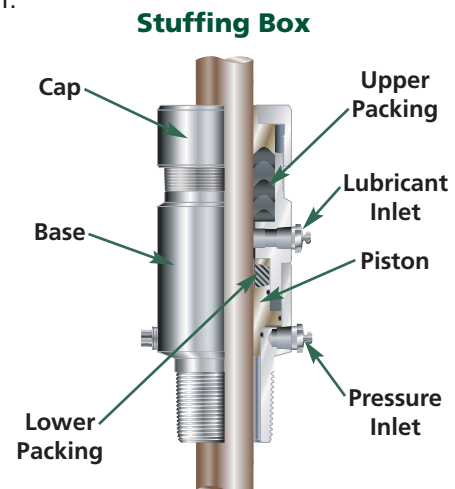
This model includes all the components of the 2-9/16 inch version, but has a 3 inch LP base.

H₂S Service Stuffing Box

1. 3-1/2 Inch EU Base Model

Double E's primary H₂S service Stuffing Box, includes all the components of the 2-9/16 inch standard service version, but contains a lower and upper packing that are H₂S resistant and suitable for high temperatures. In addition, this model features a 3-1/2 inch EU base.

Figure 1:



Double E's high-performance Stuffing Boxes are available in both Standard and H₂S Service models.

Stocked Stuffing Box Replacement Parts

1. Upper Packings

Double E carries a large inventory of 1-1/2 inch upper packings for both standard and H₂S service.

2. Lower Packings

Double E also carries a large inventory of 1-1/2 inch lower packings for both standard and H₂S service.

3. Bushings

Double E also carries a large inventory of 1-1/2 inch bushings.

Rely on Double E

Double E is a leading manufacturer of high-performance oil well production tools. We specialize in Blow Out Preventers, Oil Savers, Stuffing Boxes, Sucker Rod Strippers, and Rod Guides. Double E also makes custom-molded elastomeric products, including rubber-to-metal bonded parts. Founded in 1923, Double E was one of the first manufacturers of metal products to focus on the oil and gas industry. Our 30,000 square-foot facility is located in Dallas, Texas.

Double E Stuffing Boxes Meet Your Needs

1. Improve Performance

With a 3,000 psi working pressure rating, Double E's Stuffing Boxes will perform under the most demanding conditions.

2. Huge Inventory

With our four most popular Standard and H₂S Service Stuffing Boxes in stock, you can receive the part you need as soon as tomorrow. We also carry replacement packings and bushings to minimize downtime on your well. We've also made it easy to check stock. Using our web site, you can view our inventory 24 hours a day.

Order Online

To place your order online, visit our website at www.doubleeinc.com. You can also place orders by phone at 214-631-2290 or by fax at 214-630-4712.

If we receive your order by 2:30 p.m. central time, you can receive your parts as soon as the next business day.

△ This brochure is intended as a guideline and reference. Appropriate testing and validation by users having technical expertise is necessary for proper use of Double E products.



Double E, Inc., 1261 Profit Drive, Dallas, Texas 75247
214-631-2290 Fax 214-630-4712 doubleeinc.com